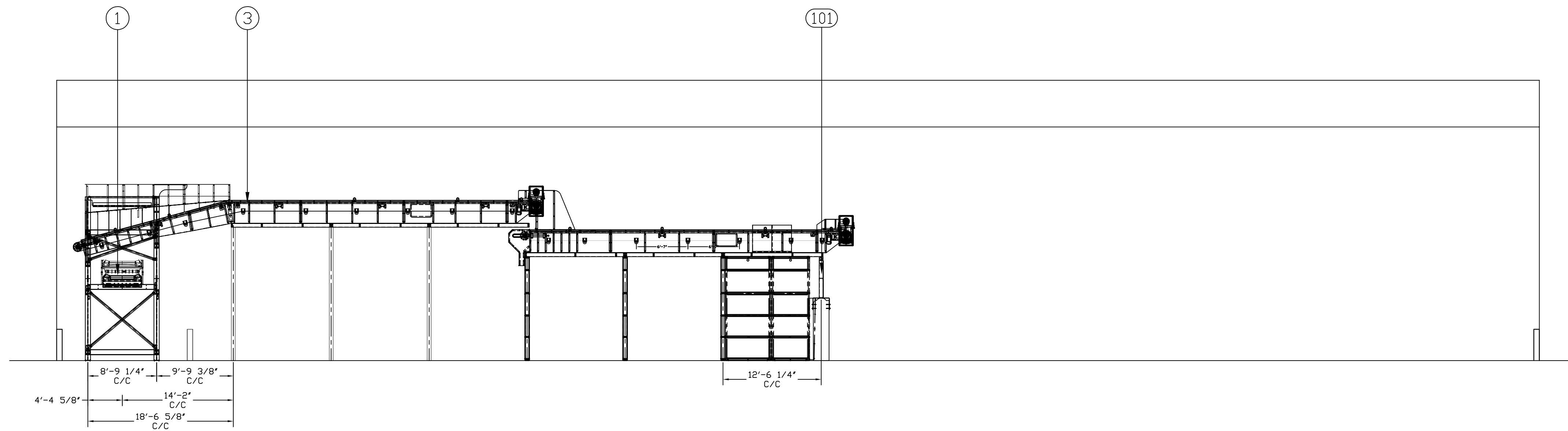
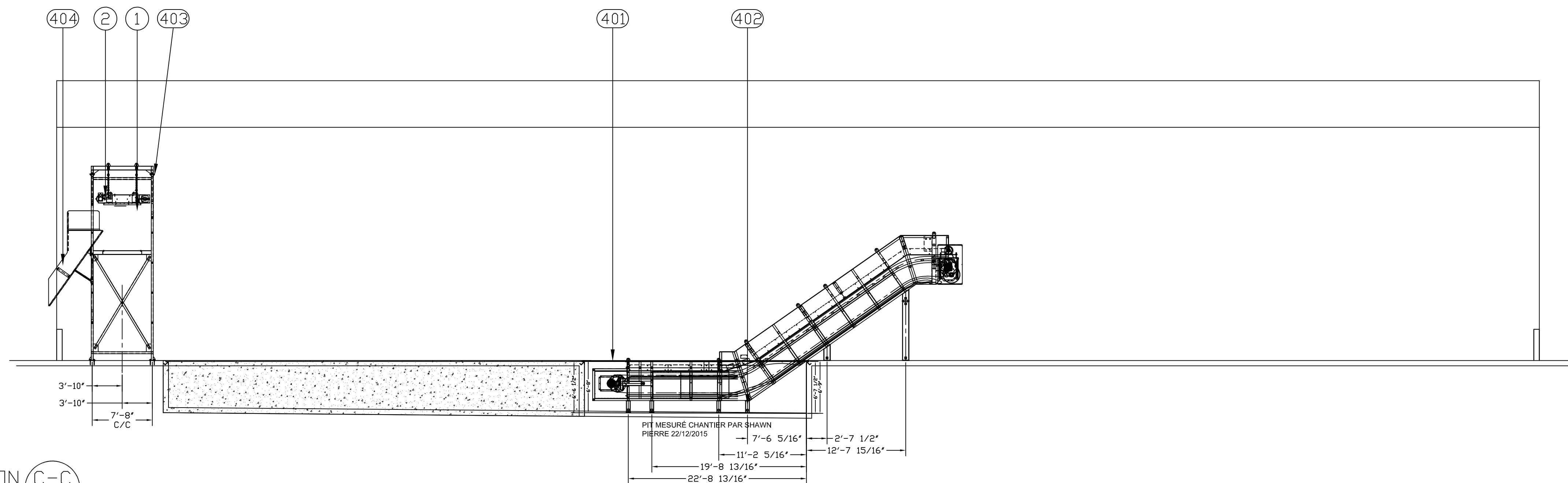


SECTION A-A  
SCALE: N/A  
DEM-2382



SECTION B-B  
SCALE: N/A  
DEM-2382



SECTION C-C  
SCALE: N/A  
DEM-2382



262 Rue Pepln , Sherbrooke, (Quebec) Canada J1L 2V8  
Tels: (819) 563-7374 Fax: (819) 563-7556

NO	DATE	REVISION / DESCRIPTION

AVIS  
CE DESSIN ET TOUTES INFORMATIONS TECHNIQUES Y APPARUSSANT SONT LA PROPRIÉTÉ DE "SHERBROOKE O.E.M. LTD." ET DOIVENT ÊTRE TENUS CONFIDENTIELS PAR LE RESPONSABLE. TOUTE VULGARISATION OU REPRODUCTION DE CE DESSIN EST INTERDITE SANS LE CONSENTEMENT DE "SHERBROOKE O.E.M. LTD."

CONFIDENTIALITY  
ANY DESIGNS, SKETCHES, MODELS OR SAMPLES SHALL REMAIN THE PROPERTY OF SHERBROOKE O.E.M. LTD AND SHALL BE TREATED AS CONFIDENTIAL INFORMATION UNLESS SHERBROOKE O.E.M. LTD HAS INDICATED IN WRITING THE USE OR DISCLOSURE OF SUCH DESIGNS, SKETCHES, MODELS AND SAMPLES, OR ANY DESIGN OR PRODUCTION TECHNIQUES REVEALED THEREBY.

TITRE:	C&D	ECHELLE: 1 PAS A L'ECHELLE
	SYSTEM RETROFIT	PROJET NO: 15P2382
CLIENT:	WINTERS BROTHERS YAPHANK, NY	NO. DESSIN: OEM-2382-01
FAIT PAR: PD	VERIF: [ ]	DATE: 15/12/2015